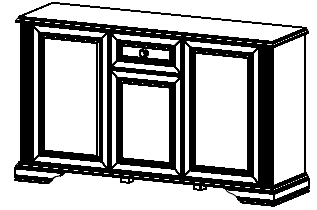
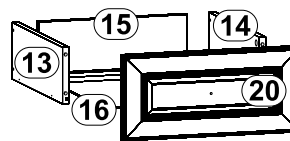
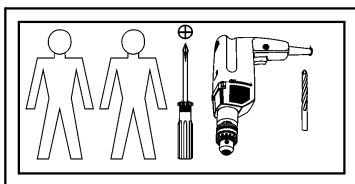
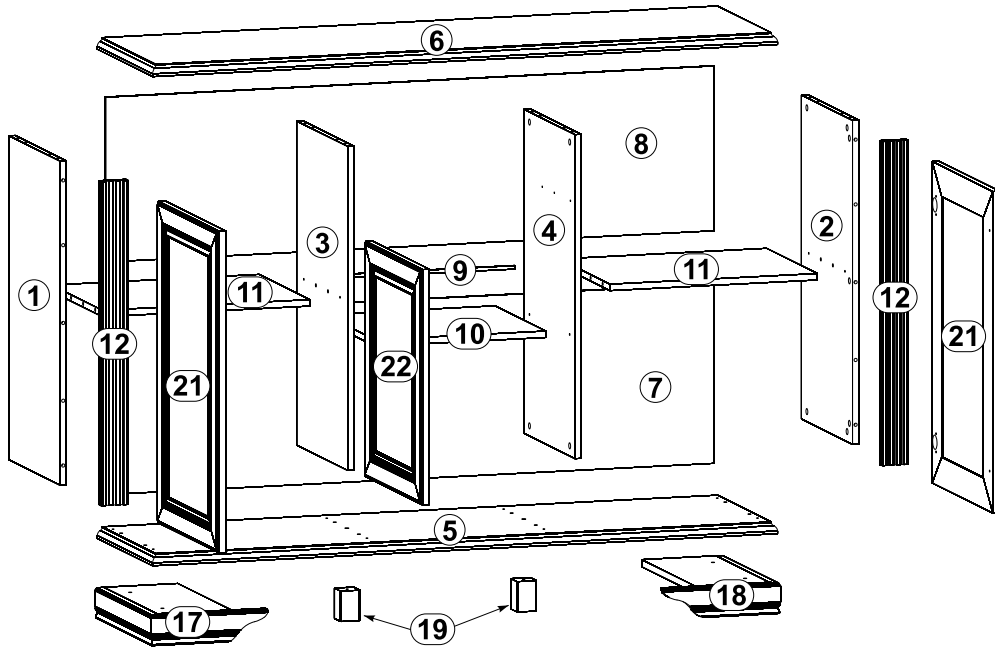


# НАЙТ

Комод\_3D1S

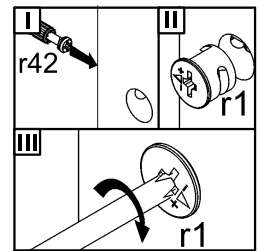
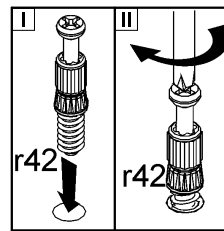
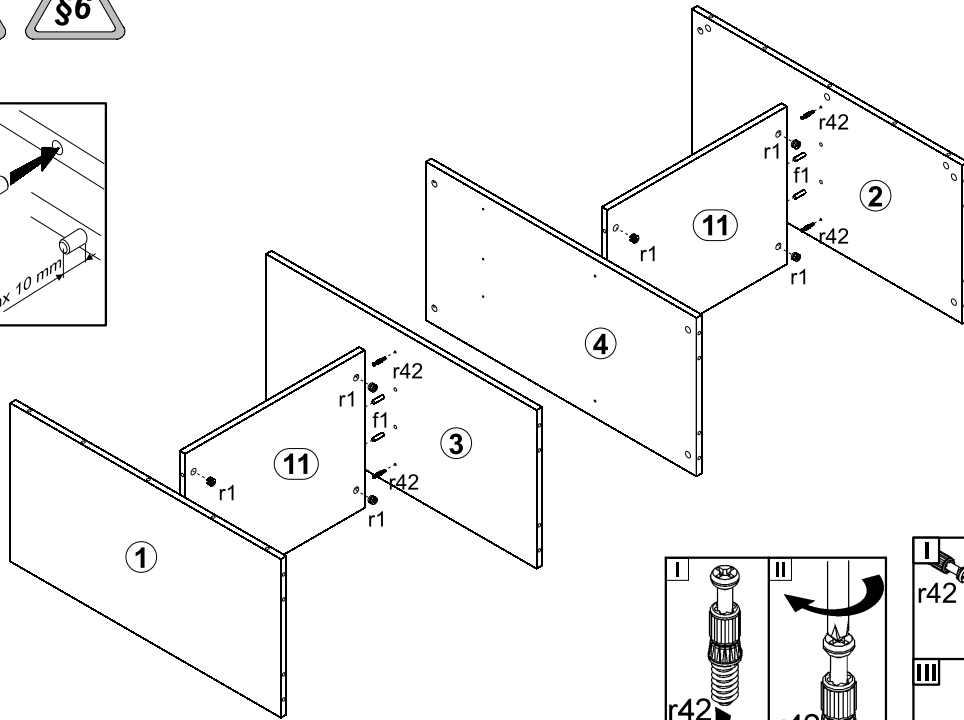
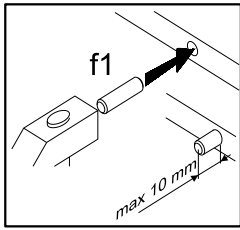


A	B	C	D	A	B	C	D		
1	NT1-118	800	406	2/4	12	NT1-515	800	68	2/4
2	NT1-119	800	406	2/4	13	NT1-551	400	140	2/4
3	NT1-120	800	406	2/4	14	NT1-552	400	140	2/4
4	NT1-121	800	406	2/4	15	NT1-553	380	140	2/4
5	NT1-209	1600	440	1/4	16	NT1-903	399	395	2/4
6	NT1-210	1600	440	1/4	17	NT1-579	446	350	3/4
7	NT1-912	1553	440	1/4	18	NT1-580	446	350	3/4
8	NT1-913	1553	405	1/4	19	NT1-590	80	50	3/4
9	LH-436	436	14	1/4	20	NT1-004	210	452	4/4
10	NT1-308	437	404	2/4	21	NT1-010	794	482	4/4
11	NT1-311	531	404	2/4	22	NT1-011	581	452	4/4

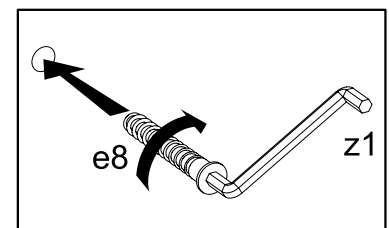
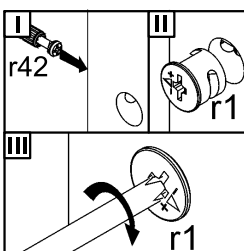
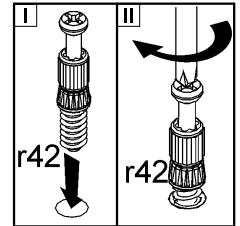
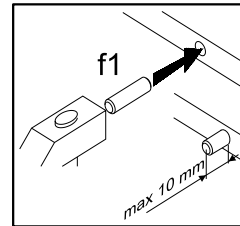
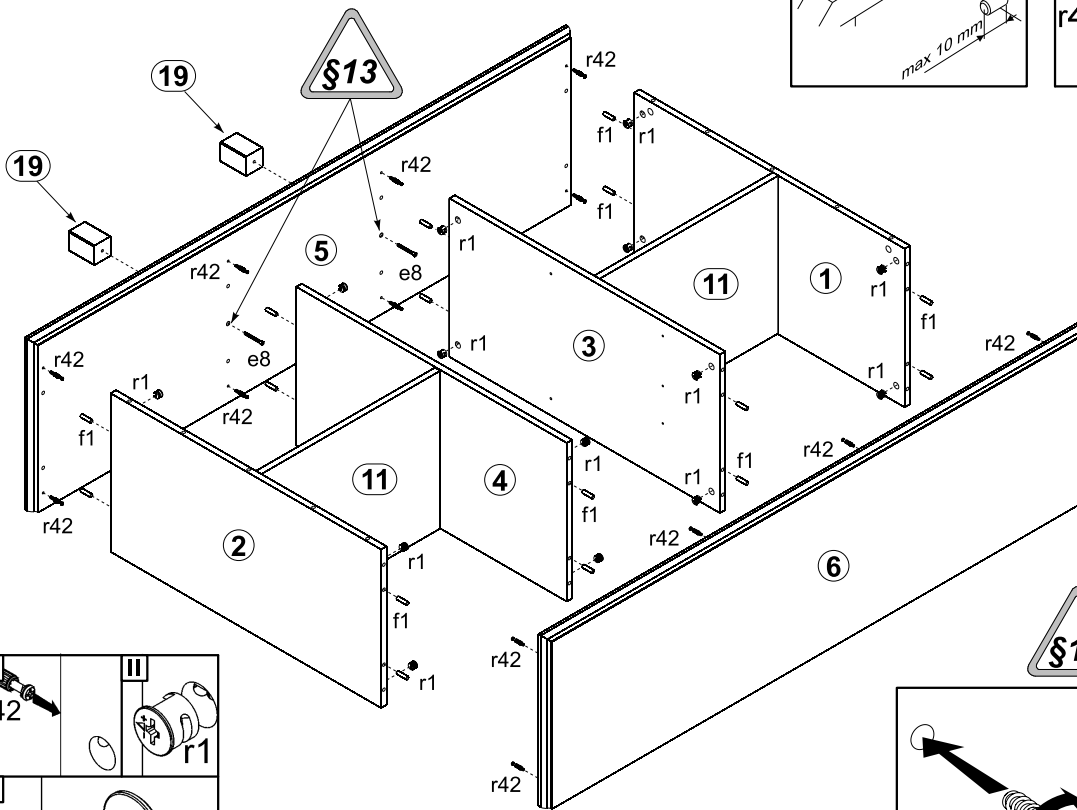


2x  a68	4x  a99	4x  b43	2x  b33	4x  c409	4x  d1	8x  e2	6x  e3	2x  e8
4x  e22	4x  e32	6x  k1	85x  l1	28x  f1	1x  j1	3x  j6	1x  n26	4x  n900
8x  p5	1x  p38	12x  p51	4x  p54	34x  r1	34x  r42	24x  s2	1x  w5 CL	1x  w5 CR
1x  w5 DL	1x  w5 DR	1x  z1						

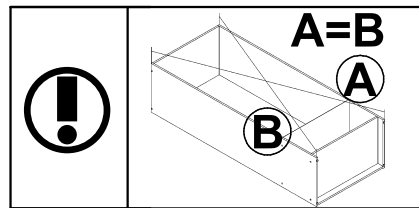
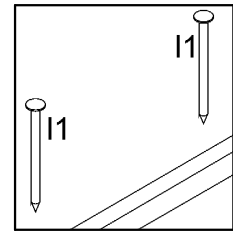
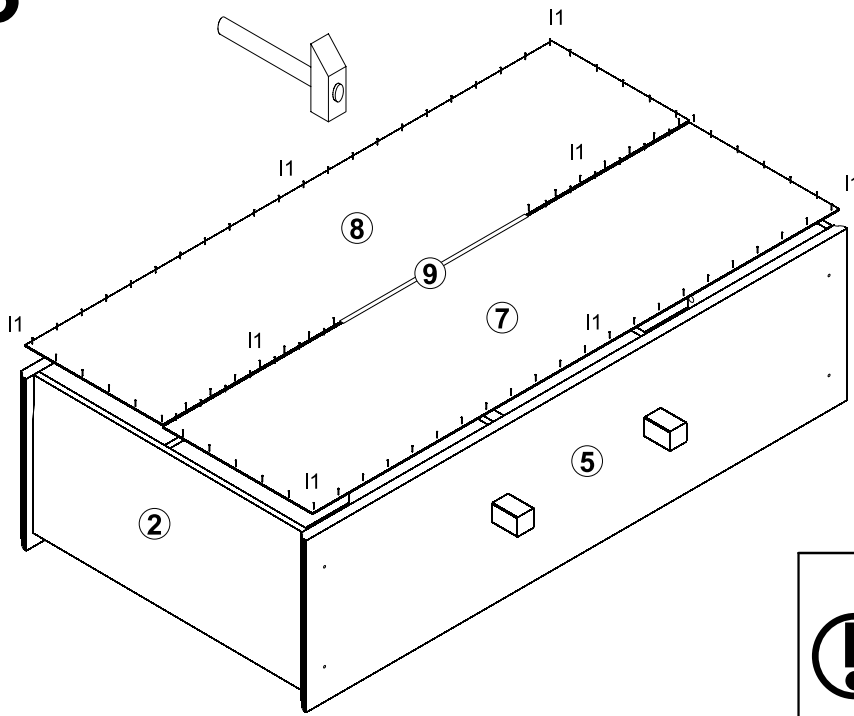
# 1



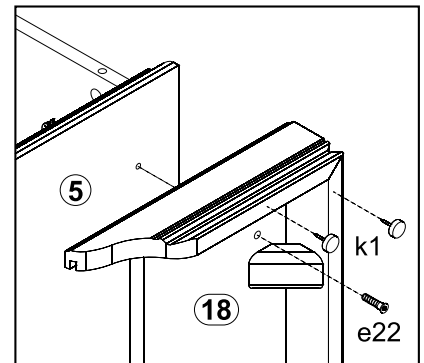
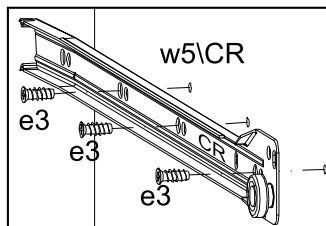
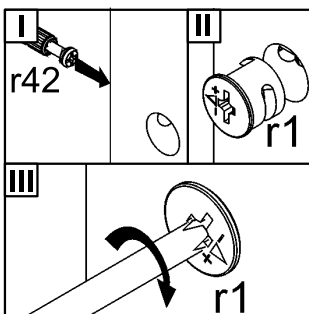
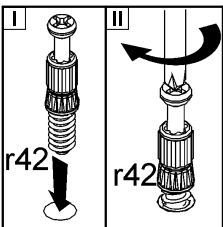
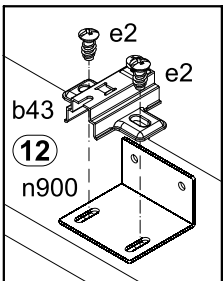
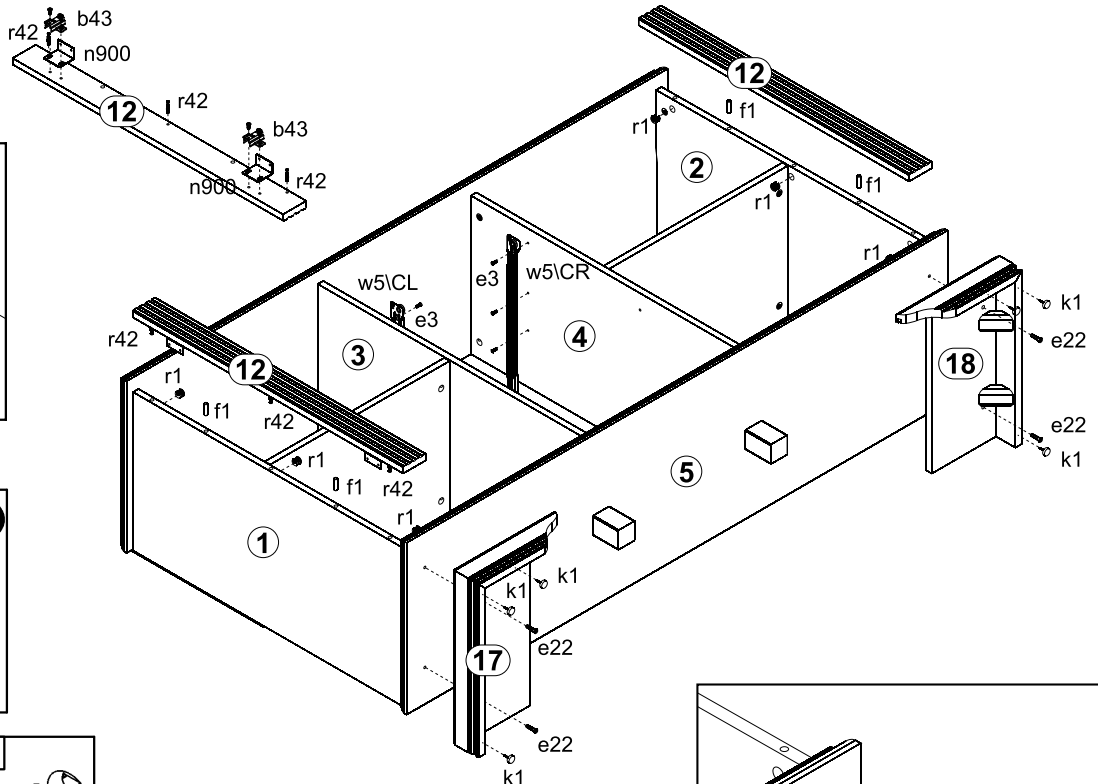
# 2



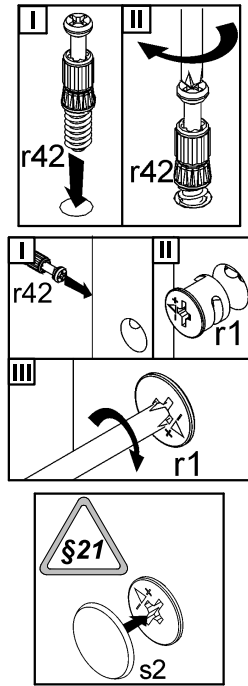
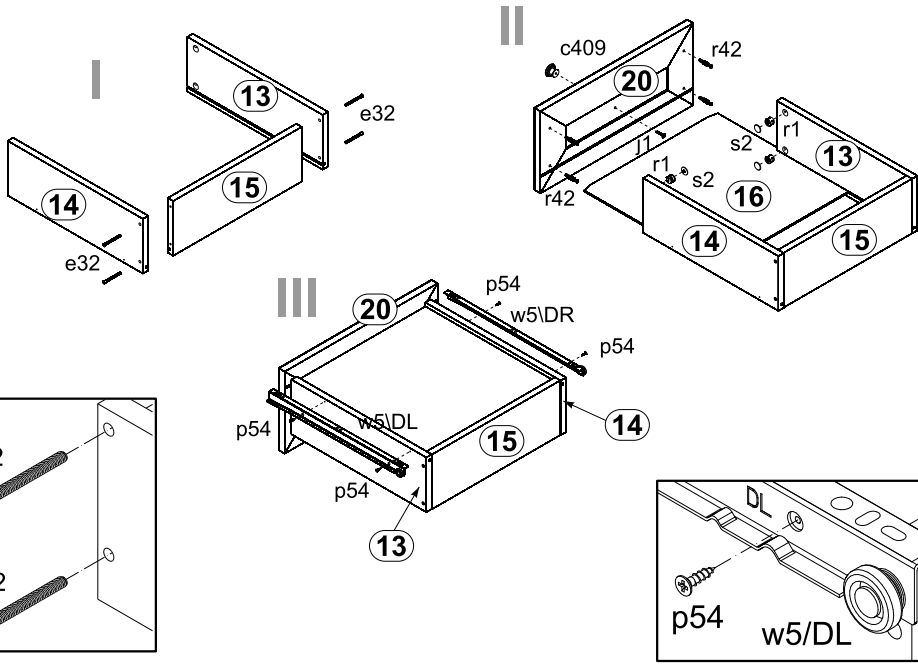
# 3



# 4



# 5



# 6

